



**Exceptional  
Affordable  
Quality**



## 6100 WALKAROUND

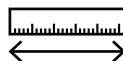
**200L**

Fuel Capacity



**6.5M**

Overall Length



**2.5m**

Beam



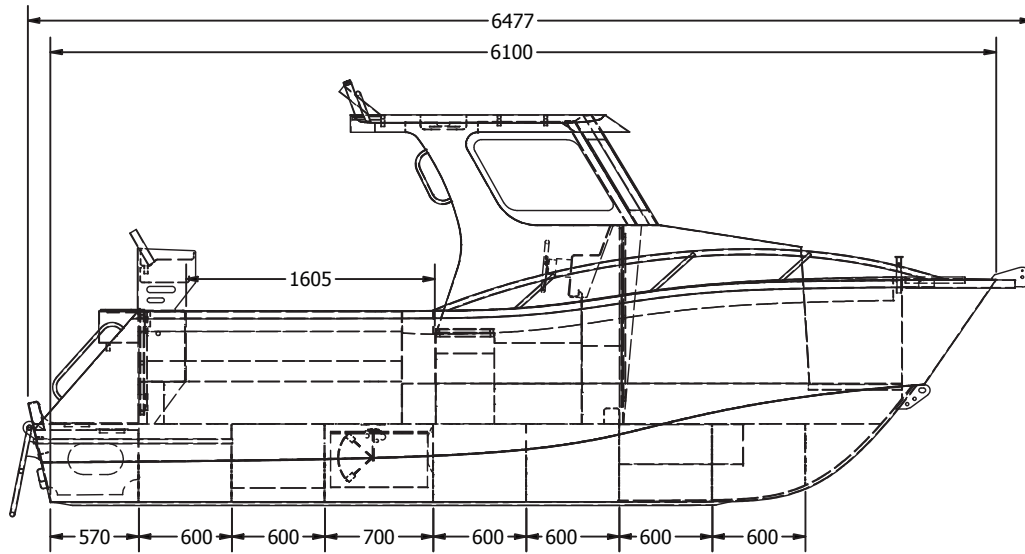
 0499770180

 83 Queen Victoria St  
Fremantle WA 6160

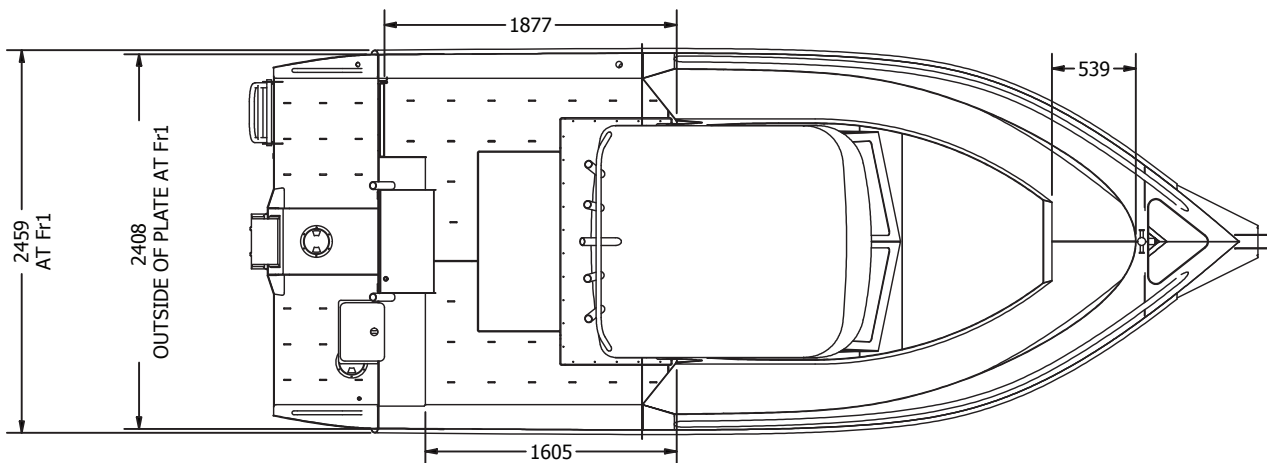
 [sales@luxcustomboats.com](mailto:sales@luxcustomboats.com)

 @luxcustomboatsau

## General Arrangement



PLAN  
SCALE 1:30



## THE LUX DIFFERENCE



### CUSTOMISABLE

No more compromising on features. Design and fit your boat to cater for the whole families needs.



### ALUMINIUM

Our boats are built from marine grade aluminium which is a resilient, durable marine material.



### AFFORDABLE

Our materials and in house builders allow us to deliver you a unique, customised boat at an affordable price.



# Gallery



## Specification Sheet

## 6100WAO

## Specifications

Hull Length	6.1m	Hull thickness (bottom)	5mm	Max Hp	1*225hp
Length Overall	6.53m	Hull thickness (side)	4mm	Max Persons	6
Beam	2.5m	Hull thickness (transom)	6mm	Weight (excl engine)	1147kg
		Floor thickness	3mm	Transom height	25"
		Underfloor Fuel Tank	200L	Max transom weight	325kg

## Standard Fit Inclusions

## Marine grade Aluminium Alloy

Self-draining deck	Scupper (x2)
Transom door	Aluminium alloy board (x3)
Dive ladder	Deck wash pump   Sure Flow
Bow & Stern rail	Gunwale fender   Aluminium
Drained anchor well	Dash/console
Side pockets (x2)	VHF radio   Icom M200
Compass	Radio   Fusion RA60
Lockable cabin door	Speaker (x2)   Fusion
Glazing with port and starboard window sliders (x2)	Electric WC   TMC
Front windshield	Bilge pump
Bait board	Anchor, rope, chain   Viper Pro 1k Micro + 60mtr rope
Side cup holders (x4)	Courtesy LED (cabin) (x2)
Overhead rod rack (x6)	Overhead light (cockpit) (x4)
Aluminium rod holders (x4)	Deck lights (x2)
Kill tank/catch tank	Rear spotlight
Navigation Lights	AL paint   Options from AS2700S
Lightbar	

**\*\*Disclaimer\*\***

Above specification is for reference only and can be changed at anytime, please contact us for current custom specs or your personalised fit out.

## Standard Trailer Inclusions

## Marine grade Aluminium Alloy and Marine Grade 316 Stainless Steel bolts

Actuation	Hydraulic	ATM	3000kg
Brake Diameter	10'	Brake width	8mm