



**WA
MADE**

**Exceptional
Affordable
Quality**



7500 HARD TOP OFFSHORE

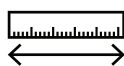
350L

Fuel Capacity



8M

Overall Length




2.50m

Beam



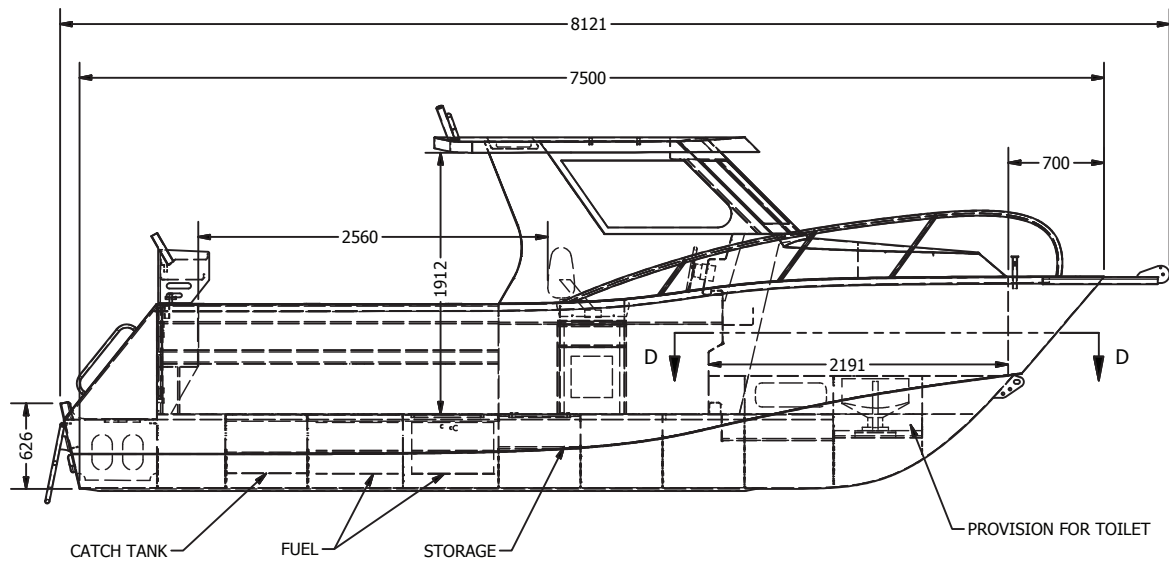
 0499770180

 83 Queen Victoria St
Fremantle WA 6160

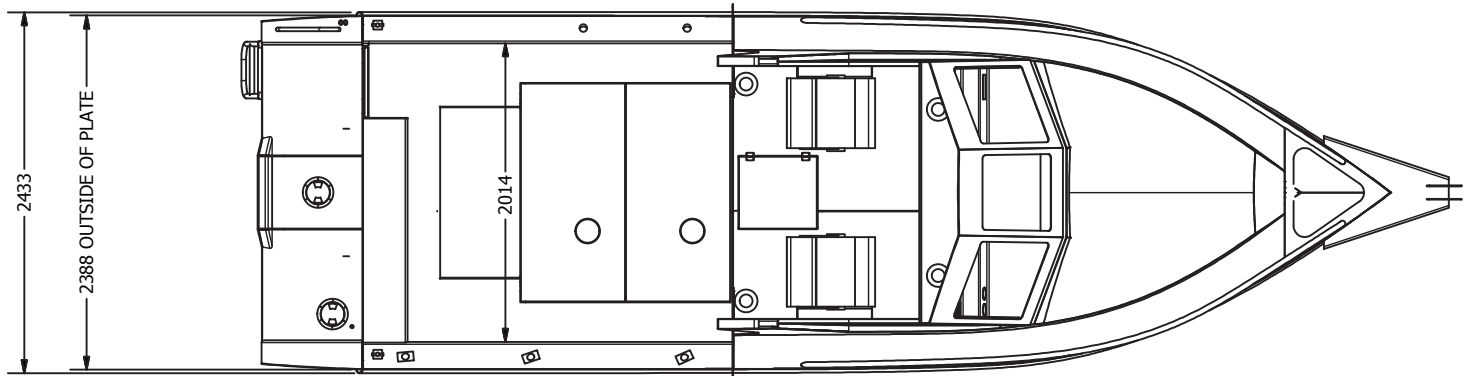
 sales@luxcustomboats.com

 @luxcustomboatsau

General Arrangement



PROFILE
SCALE 1:35



THE LUX DIFFERENCE



CUSTOMISABLE

No more compromising on features. Design and fit your boat to cater for the whole families needs.



ALUMINIUM

Our boats are built from marine grade aluminium which is a resilient, durable marine material.



AFFORDABLE

Our materials and in house builders allow us to deliver you a unique, customised boat at an affordable price.



Gallery



Specification Sheet

7500HT

Specifications

Hull Length	7.5m	Hull thickness (bottom)	6mm	Max Hp	1*300hp
Length Overall	8.0m	Hull thickness (side)	4mm	Max Persons	9
Beam	2.5m	Hull thickness (transom)	6mm	Weight (excl engine)	2037kg
		Floor thickness	3mm	Transom height	25"
		Underfloor Fuel Tank	350L	Max transom weight	275kg

Standard Fit Inclusions

Marine grade Aluminium Alloy

Self-draining deck	Scupper (x2)
Transom door	Aluminium alloy bollard (x3)
Dive ladder	Deck wash pump Sure Flow
Bow & Stern rail	Gunwale fender Aluminium
Drained anchor well	Dash/console
Side pockets (x2)	VHF radio Icom M200
Compass	Radio Fusion RA210 + 2 x Speakers
Lockable cabin door	Electric WC TMC
Glazing with port and starboard window sliders (x2)	Bilge pump
Front windshield (x2)	Anchor rope, chain Viper Pro 1k Micro + 60mtr rope
Bait board	Courtesy LED (cabin) (x2)
Side cup holders (x4)	Overhead light (cockpit) (x4)
Overhead rod rack (x6)	Deck lights (x4)
Aluminium rod holders (x4)	Rear spotlight (x2)
Kill tank/catch tank (Self draining)	AL paint Options from AS2700S
Navigation Lights	
Lightbar	

****Disclaimer****

Above specification is for reference only and can be changed at anytime, please contact us for current custom specs or your personalised fit out.

Standard Trailer Inclusions

Marine grade Aluminium Alloy and Marine Grade 316 Stainless Steel bolts

Actuation	Hydraulic	ATM	3500kg
Brake Diameter	12'	Brake width	8mm