



**WA
MADE**

**Exceptional
Affordable
Quality**



7700 HARD TOP

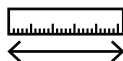
500L

Fuel Capacity



8.0M

Overall Length



2.7m

Beam



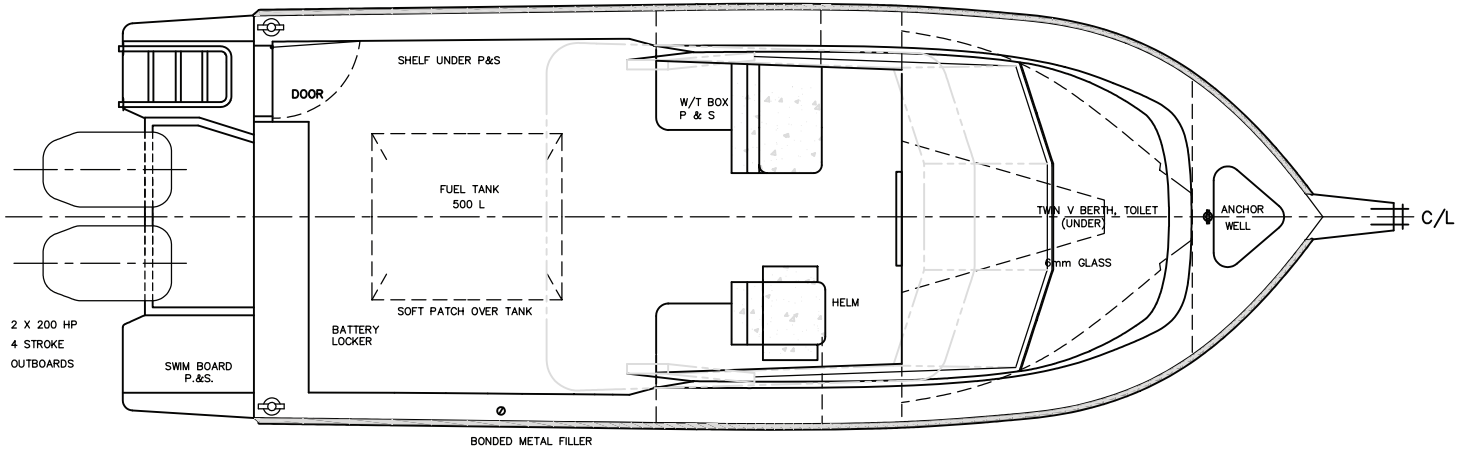
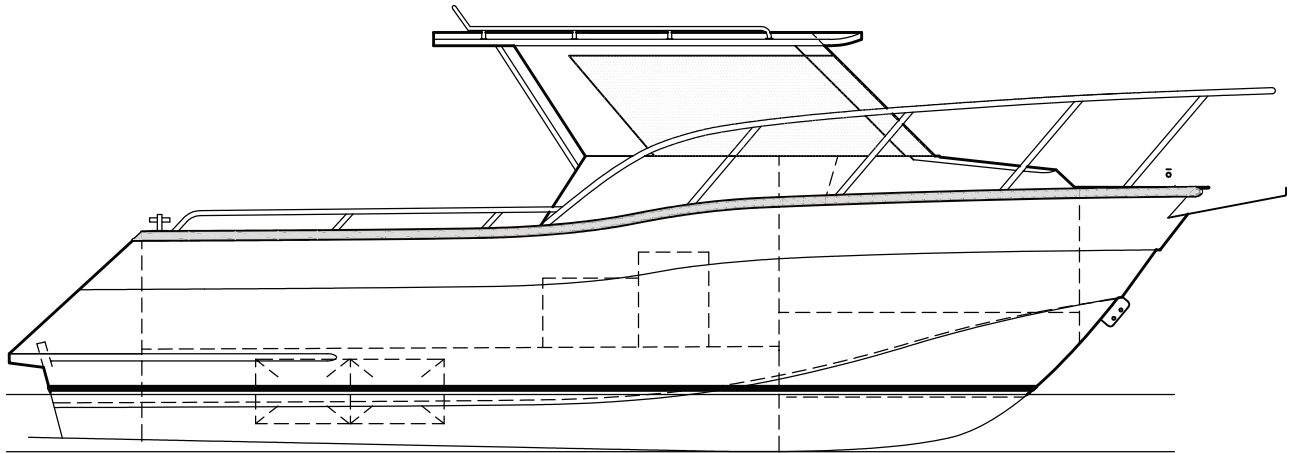
 0499770180

 83 Queen Victoria St
Fremantle WA 6160

 sales@luxcustomboats.com

 @luxcustomboatsau

General Arrangement



THE LUX DIFFERENCE



CUSTOMISABLE

No more compromising on features. Design and fit your boat to cater for the whole families needs.



ALUMINIUM

Our boats are built from marine grade aluminium which is a resilient, durable marine material.



AFFORDABLE

Our materials and in house builders allow us to deliver you a unique, customised boat at an affordable price.



Gallery



Gallery



Specification Sheet

7700HT

Specifications

Hull Length	7.7m	Hull thickness (bottom)	6mm	Max Hp	2*200hp
Length Overall	8.0m	Hull thickness (side)	5mm	Max Persons	9
Beam	2.70m	Hull thickness (transom)	6mm	Weight (excl engine)	~1950kg
		Floor thickness	3mm	Transom height	25"
		Underfloor Fuel Tank	500L	Max transom weight	580kg

Standard Fit Inclusions

Marine grade Aluminium Alloy

Self-draining deck	Scupper (x2)
Transom door	Aluminium alloy bollard (x3)
Dive ladder	Deck wash pump Sure Flow
Bow & Stern rail	Gunwale fender Aluminium
Drained anchor well	Dash/console
Side pockets (x2)	VHF radio Icom M200
Compass	Radio Fusion RA210
Lockable cabin door	Electric WC TMC
Glazing with port and starboard window sliders (x2)	Bilge pump x 2
Front windshield (x2)	Anchor rope, chain Viper Pro 1k Micro + 100mtr rope
Live bait tank	Courtesy LED (cabin) (x2)
Bait board	Overhead light (cockpit) (x4)
Side cup holders (x4)	Deck lights (x2)
Overhead rod rack (x6)	Rear spotlight (x2)
Aluminium rod holders (x4)	AL paint Options from AS2 700 S
Kill tank/catch tank	
Navigation Lights	
Lightbar	

****Disclaimer****

Above specification is for reference only and can be changed at anytime, please contact us for current custom specs or your personalised fit out.

Standard Trailer Inclusions

Marine grade Aluminium Alloy and Marine Grade 316 Stainless Steel bolts

Actuation	Hydraulic	ATM	3500kg
Brake Diameter	12'	Brake width	8mm